

# Grout Out™

## Safety and Operating Manual



### Warning!

Read all safety warnings and all instructions. Failure to follow the warnings and instructions may result in electric shock, fire and/or serious injury. These instructions must be kept in a safe place so that the information that it contains is always available. These instructions must accompany the equipment if it is transferred to somebody else. We do not accept any liability for accidents or damage arising from ignoring the safety instructions.

### Work Area Safety

Keep the work area clean and well lit. Cluttered and poorly lit areas invite accidents. Do not operate power tools in explosive atmospheres, such as in the presence of flammable liquids, gases or dust. Power tools create sparks that can easily ignite the dust or fumes. Keep children and bystanders away while operating a power tool. Distractions can cause you to lose control.

### Electrical Safety

Power tool's plugs must match the outlet. Never modify the plug in any way. Do not use any adaptor plugs with earthed (grounded) power tools. Unmodified plugs and matching outlets will reduce risk of electric shock.

Avoid body contact with earthed objects, such as pipes, radiators, ranges and refrigerators. There is an increased risk of electric shock if your body is earthed.

Do not expose power tools to rain or wet conditions. Water entering a power tool will increase the risk of electric shock.

Do not abuse the cord. Never use the cord for carrying, pulling or un-pulling the power tool. Keep the cord away from heat, oil, sharp edges or moving parts. Damaged or entangled cords increase the risk of electric shock.

When operating a power tool outdoors, use an extension cord suitable for outdoor use. Use of a cord suitable for outdoors reduces the risk of electric shock.

If operating a power tool in a damp location is unavoidable, use a residual current device (RCD) protected supply. Using an RCD reduces the risk of electric shock.

### Personal Safety

Stay alert, watch what you are doing and use common sense when operating power tools. Do not use a power tool if you are tired or under the influence of drugs, alcohol or medication. A moment of inattention while using power tools may result in serious personal injury.

Use personal protective equipment. Always wear eye protection. Protective equipment such as dust mask, non-slip safety shoes, hard hat, or hearing protection used for appropriate conditions will reduce personal injuries.

Prevent unintentional starting. Ensure the switch is in the off-position before connecting to power source and/or battery pack, picking up or carrying the tool. Carrying power tools with your finger on the switch or energizing power tools that have the switch on invites accidents.

Remove any adjusting key or spanner before turning the power tool on. A spanner or a key left attached to a rotating part of the power tool may result in a personal injury.

Do not overreach. Keep proper footing and balance at all times. This enables better control of the power tool in unexpected situations. Dress properly. Do not wear loose clothing or jewellery. Keep your hair, clothing and gloves away from moving parts. Loose clothes, jewellery or long hair can be caught in moving parts.

### Use and Maintenance of Power Tools

Do not force the power tool. Use the correct power tool suitable for your application. The correct power tool will do the job better and safer at the rate for which it was designed.

Do not use the power tool if the switch does not turn it on and off. Any power tool that cannot be controlled with the switch is dangerous and must be repaired.

Disconnect the plug from the power source and/or battery pack from the power tool before making any adjustments, changing accessories, or storing the power tool. Such preventative safety measures reduce the risk of starting the power tool accidentally.

Store idle power tools out of the reach of children and do not allow persons unfamiliar with the power tool or these instructions to operate the tool.

Power tools are dangerous in the hands of untrained users.

Maintaining power tools. Check for misalignment or binding of moving parts, breakage of parts and any other condition that may affect the power tool's operation. If damaged, have the power tool repaired before use. Many accidents are caused by poorly maintained power tools.

Tools with sharp points are more likely to injure. Always remove the tip when done working with the power tool. Never store a power tool with a tip still inserted in the tool.

Use the power tool, accessories, etc. in accordance with these instructions, taking into account the working conditions and the work to be performed. Use of the power tool for operations different from those intended could result in a dangerous situation.

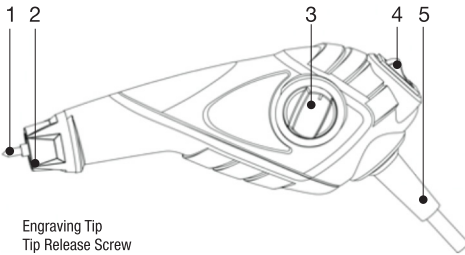
### Precaution

Do not use for more than 30 minutes at a time. Allow complete cool down before re-use.

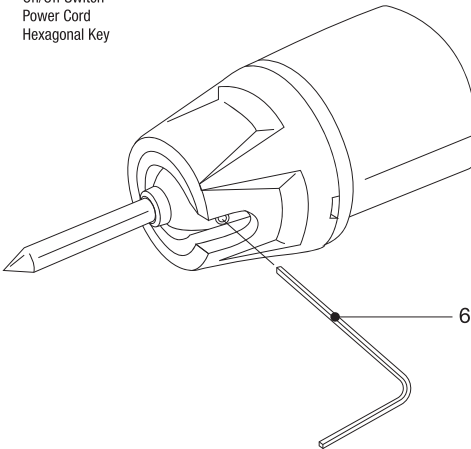
After 15 minutes use, if there is any overheating, allow 5-10 minutes rest to cool down the tool.

## Specifications

Input power: 13W  
Power supply: 230V ~50 Hz  
Grout Remover Tools: Tungsten Carbide Tipped steel  
S2: 30 min., Indicates operating time at no more than 30 minutes at rated load followed by a complete cool down of the tool.



Engraving Tip  
Tip Release Screw  
Stroke Adjustment Dial  
On/Off Switch  
Power Cord  
Hexagonal Key



## Installing the Tips

**Warning!**  
The mains plug must be disconnected before making any adjustments.

Insert the hexagonal key (6) provided into the screw head at output shaft.  
Choose the suitable tip for your job. The pointed tip can be used on all cement based grout joints sanded or non-sanded, when the grout width is 3mm (1/8") or less. The chisel tip is best used for varying widths of grout, for example shower, bath & sink areas, floor tiles, wall tiles, fireplace tiles, etc.  
Turn the hexagonal key (6) anti-clockwise and place the tip into the tool. Ensure the tip is fully inserted into the tool.  
Turn the hexagonal key (6) clockwise to tighten the tip. Once tightened, gently pull on the tip to check it is securely fastened in place.

**NOTE.** Do not over tighten as you might damage the hexagonal key and/or screw head.



Waste electrical products should not be disposed of with household waste. Please recycle where facilities exist. Check with your Local Authority or retailer for recycling advice.

## Operation

**Warning!**  
Always wear safety glasses when using this tool.

Before using the grout remover you must ensure there is a tip installed. Connect the grout remover plug to the power supply. Hold the grout remover firmly, push up on the On/Off Switch (4) with your thumb.

**NOTE.** To turn the grout remover on, press the small On/Off Switch (4) upwards to the (I) position. To turn the tool off, push the On/Off Switch (4) down to the (O) position.

Hold the grout remover at an angle, like you would hold a pen. Do not use excess force. Guide the tip over the grouted area as required.

## Adjusting the Depth of Grout Removal

The stroke adjustment dial (3) located on the side, controls the stroke length and therefore the depth of grout removal.  
For a short depth of grout line turn the stroke adjustment dial (3) anti-clockwise to position '1'.  
For a deeper, thicker grout line turn the stroke adjustment dial (3) clockwise to position '5'.

## Disposal

**Warning!**  
In order to protect the environment, proceed according to the local laws in force. Contact the relevant authorities for more information. When the machine is no longer usable or repairable, deliver the machine and packaging to a recycling centre.

Electric and electronic waste may contain potentially hazardous substances for the environment and human health. It should therefore not be disposed of with domestic waste, but by means of differentiated collection at specific centres or returned to the vendor in the event of purchasing new equipment of the same type. Illegal disposal of waste will result in administrative sanctions.

## Warranty

The product is protected by law against all non-conformities with regards to its stated characteristics, provided that it has been used solely in the way described in this user's instructions, it has not been tampered with in any way, it has been stored correctly, it has been repaired by authorised personnel and, where necessary, only original spare parts have been used. In the event of industrial or professional use or similar, the warranty is valid for 12 months. To issue a request for intervention covered by warranty, proof of purchase must be shown to the retailer.

## Amendments

The text, figures and data correspond to the standards in place on the date of printing the instructions contained herein. The manufacturer reserves the right to update the documentation if changes are made to the appliance, without being bound by any obligations.

© No part of this publication and the documentation enclosed with the appliance may be reproduced without written permission from the manufacturer.

## Certificate of Conformity Grout Out™

The above product has been tested and found to comply with:

EN 60745-1:2009+A11:10  
EN 55014-1:2017  
EN 55014-2:2015  
EN 61000-3-2:2014  
EN 61000-3-3:2013  
BS EN 62841-1: 2015+AC: 15  
Supply of Machinery (Safety) Regulations 2008

Due to minor changes in design or otherwise, the product may differ slightly from the one shown in the manual.

099503939



QEP Co. UK Ltd The Maltsters, Wetmore Road  
Burton Upon Trent, DE14 1LS  
Tel: +44 (0) 1283 245 430 www.vitrex.co.uk

PRCI SAS - Groupe QEP  
Avenue du Moulin De La Jasse BP 30  
34750 Villeneuve Les Maguelone, France

A division of  
**QEP**